



PLUS  
ONE



ONYEDI  
L I G H T İ N G

# EXPERIENCE



1. HERA	05
2. SUN	09
3. URANUS	14
4. DONNA	19
5. FALCON	23
6. TREY	25
7. ECHO	30
8. JAVA	33
9. HUKİ	35
10. LENA	37
11. HEIDI	40
12. PINO	43
13. CHARLIE	46
14. STRONG	49
15. TIAMO	53
16. VICTORY	55
17. KAZU	58
18. JUNIOR	60
19. YOUNG	62
20. AARON	65
21. LENORA	67
22. FLOOR LAMPS	70
23. COLLECT CHARGING STATION	78
24. REFERENCES	81

# INDEX



PLUS  
ONE



## OPTIONAL CUSTOM MADE



CHARGING STATION  
OPTIONS



KELVIN AND WATT  
OPTIONS



BATTERY  
OPTIONS



DIMMABLE  
OPTIONS



REMOTE CONTROL  
OPTIONS



WARRANTY  
OPTIONS



RAL COLORS  
OPTIONS



MATERIAL  
OPTIONS



PLATING COLORS  
OPTIONS



OPERATING TIME  
OPTIONS



LASER PRINTING  
OPTIONS



LIGHT COLORS  
OPTIONS



# ABOUT US

Our company was established in 2006 as a limited company affiliated with the Istanbul Chamber of Commerce.

Our company has been a dealer for the products of important lighting brands in Europe for a while. Later, it continued with the production of specially designed lighting products for hotels and restaurants.

When the quality rechargeable table lamps we produced for special projects started to attract a lot of attention; There has been an intensity of demand. For this reason, we concentrated only on the production of rechargeable table lamps.

We produce products with registered designs under the ONYEDI lighting brand. ONYEDI has all the necessary certificates for rechargeable table lamps.

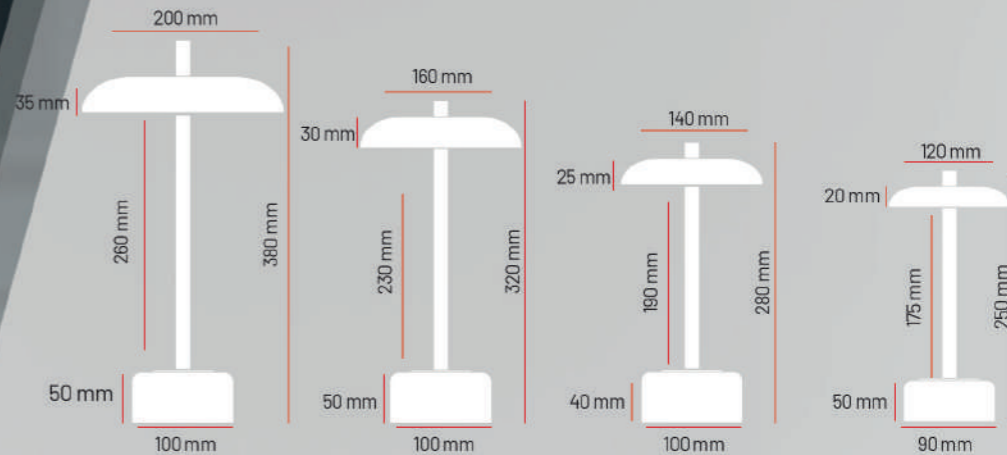
Our company is preferred by many domestic and international corporate companies.

Our company's vision is "What can we give +1?" to our customers.

The most difficult thing for people is "First to understand the customer and determine their real needs." We have set this mission for ourselves.

Best Wishes

# HERA



BIG - MIDDLE - SMALL - MINI





# MIDDLE





3.7 Volt 4400mAh  
Lithium Ion Battery



Operrating Time:  
1. step 13 hours  
2. step 19 hours  
3. step 30 hours



2.2 Watt 2700 Kelvin  
200 Lumen



5 Volt 1 Amper Adapter



3 Step Dimmable



Charge Time 8 hours



Stainless Steel  
Button



Samsung LED



UN3481 Approved  
Certificete



CE Technical  
Certificate

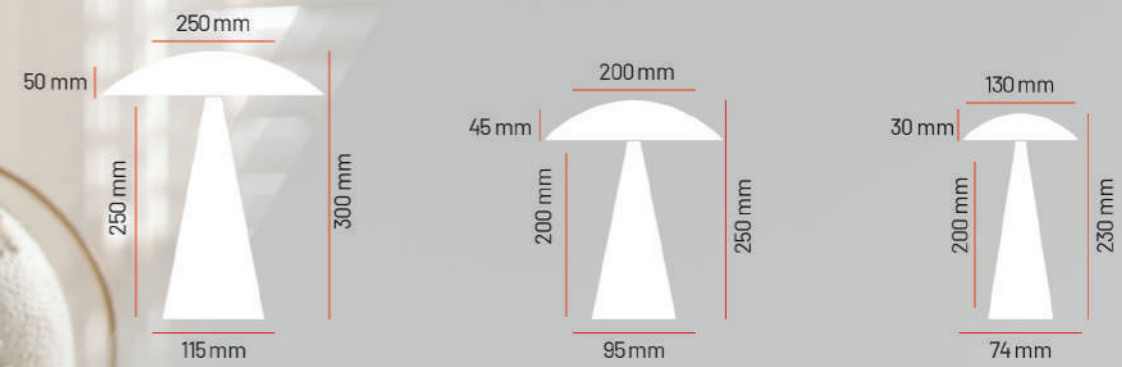


Metal Material  
Plexy Material



3  
YEARS  
YIL  
Three Years  
Warranty





BIG - MIDDLE - MINI

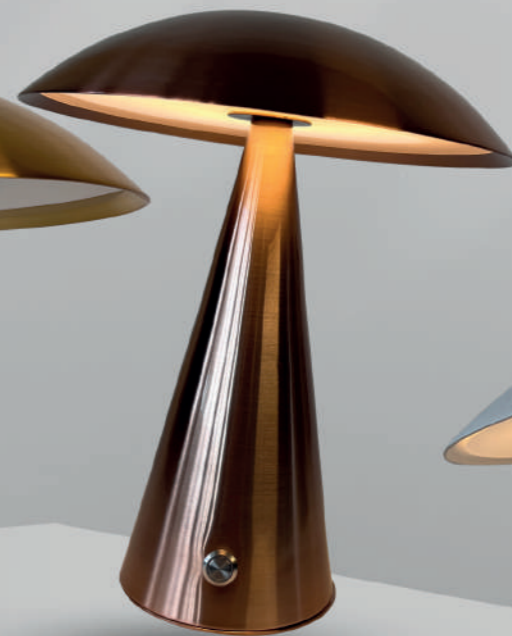
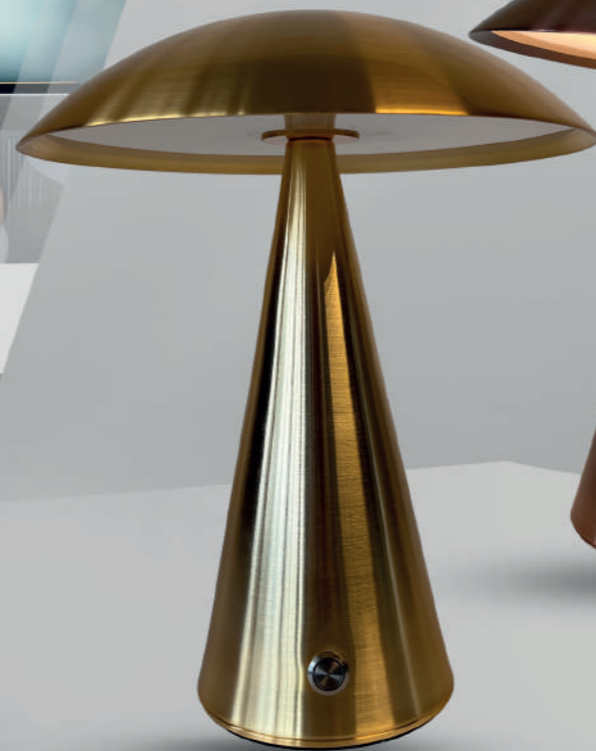
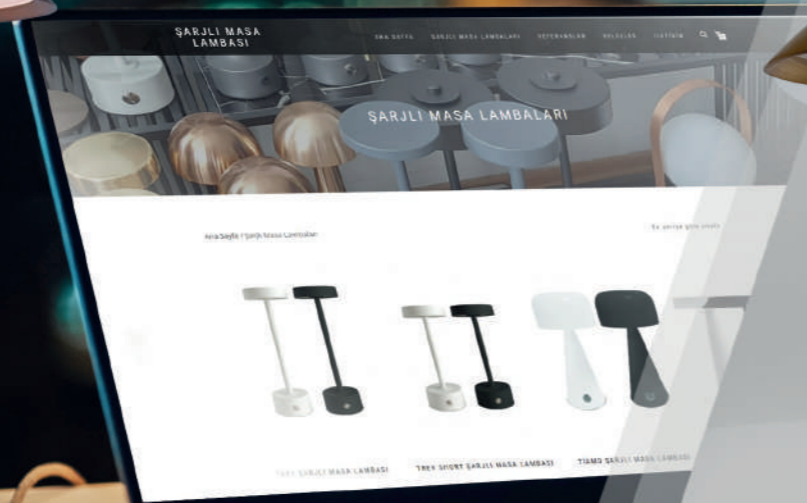
SUN



MINI  
sun



# MIDDLE *sun* LE





BIG  
SUN





3.7 Volt 4400mAh  
Lithium Ion Battery



Operating Time:  
1. step 13 hours  
2. step 19 hours  
3. step 30 hours



2.2 Watt 2700 Kelvin  
200 Lumen



5 Volt 1 Amper Adapter



3 Step Dimmable



Charge Time 8 hours



Stainless Steel  
Button



Samsung LED



UN3481 Approved  
Certificate



CE Technical  
Certificate

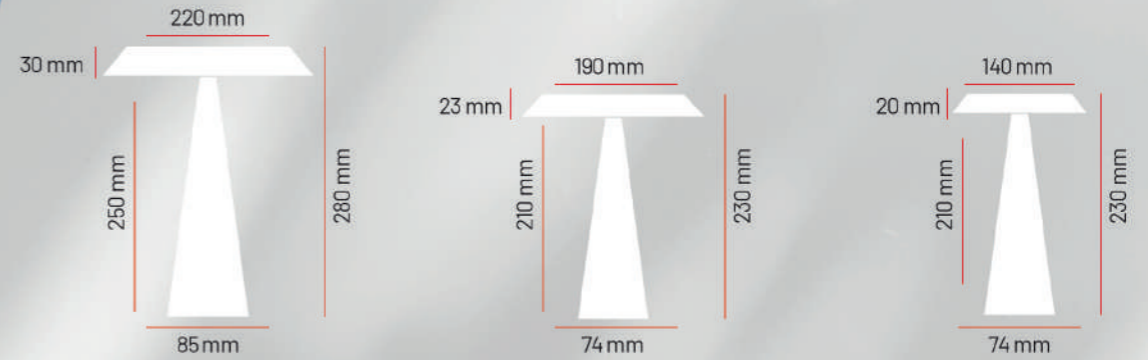


Metal Material  
Plexy Material



3  
YEARS  
YIL  
WARRANTY / GARANTI  
Three Years  
Warranty

# URANUS



BIG - MIDDLE - MINI





# MIDDLE

*Uranus*









MINI  
*Granus*



3.7 Volt 4400mAh  
Lithium Ion Battery



Operrating Time:  
1. step 13 hours  
2. step 19 hours  
3. step 30 hours



2.2 Watt 2700 Kelvin  
200 Lumen



5 Volt 1 Amper Adapter



3 Step Dimmable



Charge Time 8 hours



Stainless Steel  
Button



Samsung LED



UN3481 Approved  
Certificete



CE Technical  
Certificate



Metal Material  
Plexy Material



Three Years  
Warranty

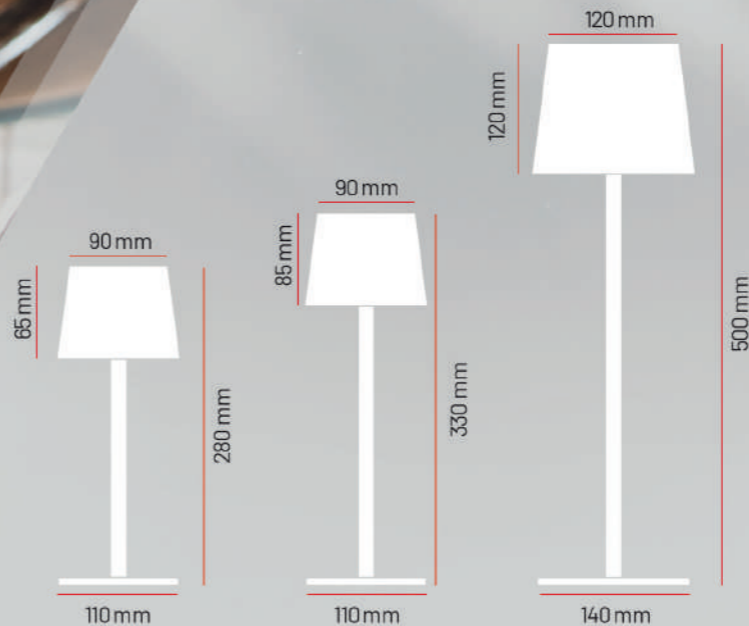


# DONNA

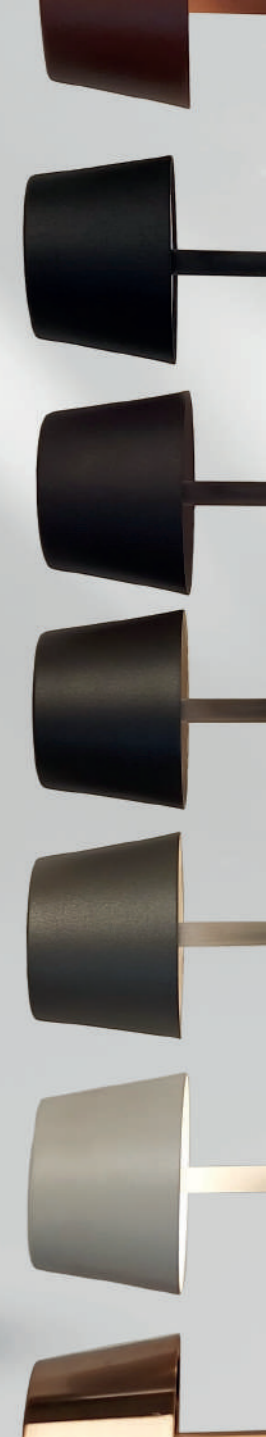
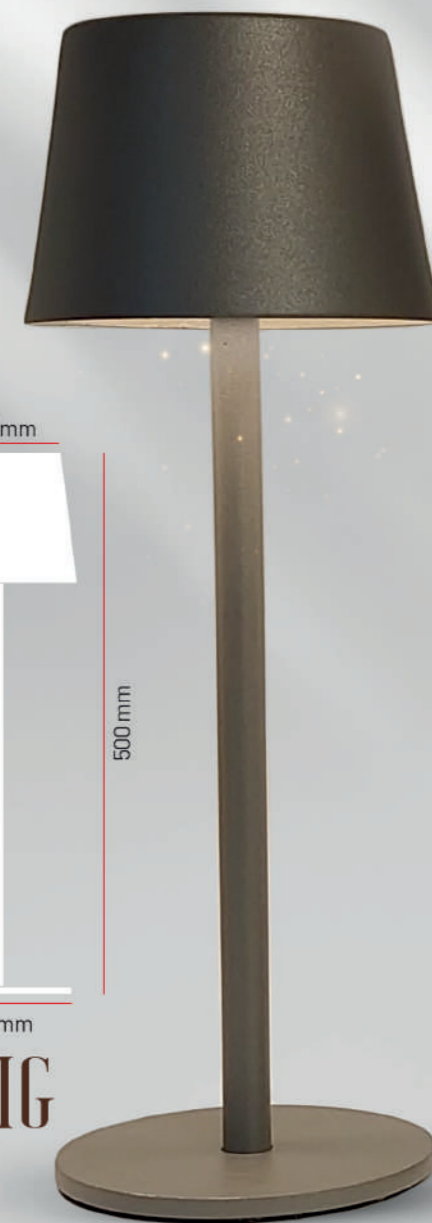


# MIDDLE

*Donna*



MINI - MIDDLE - BIG





**MINI**  
*Donna*



**BIG**  
*Donna*



3.7 Volt 4400mAh  
Lithium Ion Battery



Operating Time:  
1. step 13 hours  
2. step 19 hours  
3. step 30 hours



2.2 Watt 2700 Kelvin  
200 Lumen



5 Volt 1 Amper Adapter



3 Step Dimmable



Charge Time 8 hours



Stainless Steel  
Button



Samsung LED



UN3481 Approved  
Certificate



CE Technical  
Certificate

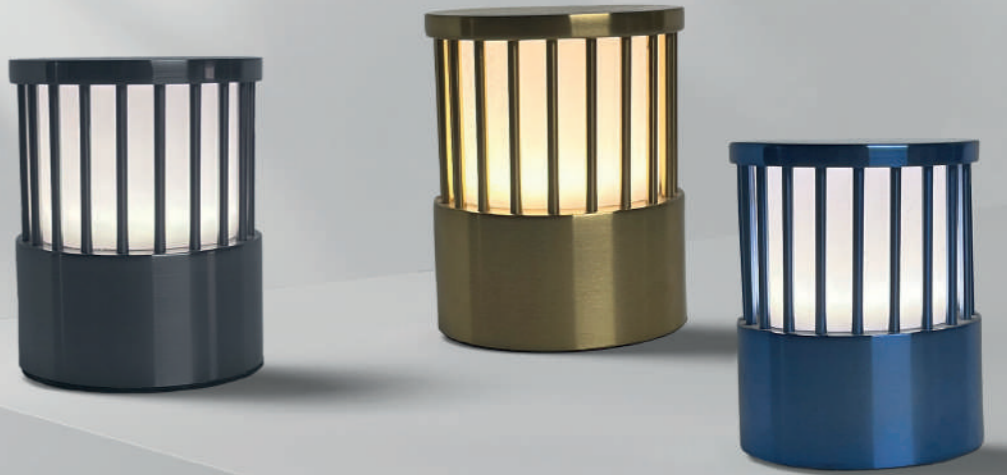
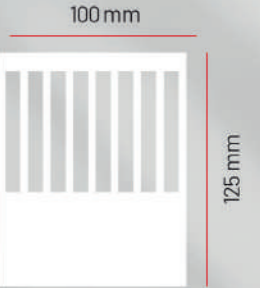


Metal Material  
Plexy Material



Three Years  
Warranty

# FALCON





3.7 Volt 4400mAh  
Lithium Ion Battery



Operrating Time:  
1. step 13 hours  
2. step 19 hours  
3. step 30 hours



2.2 Watt 2700 Kelvin  
200 Lumen



5 Volt 1 Amper Adapter



3 Step Dimmable



Charge Time 8 hours



Stainless Steel  
Button



Samsung LED



UN3481 Approved  
Certificete



CE Technical  
Certificate



Metal Material  
Plexy Material

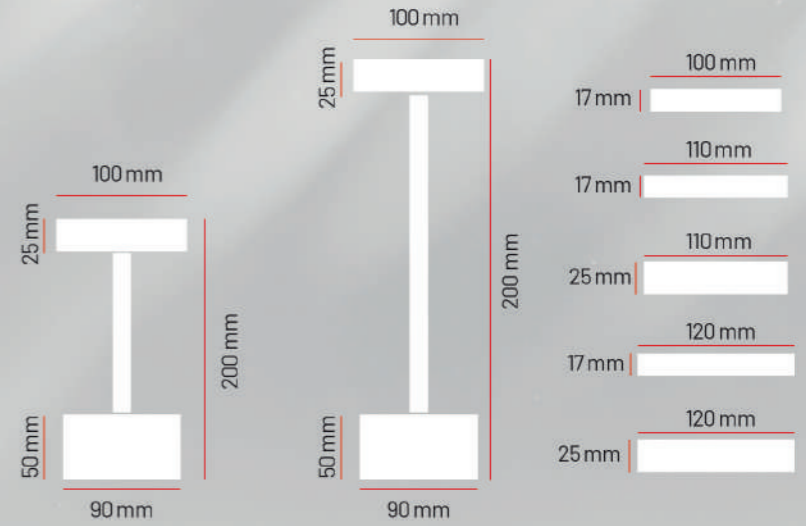


Three Years  
Warranty



# TREY





## SHORT-TREY-ALTERNATIVE HEADS





CHOPIN



3.7 Volt 4400mAh  
Lithium Ion Battery



Stainless Steel  
Button



Operating Time:  
1. step 13 hours  
2. step 19 hours  
3. step 30 hours



Samsung LED



2.2 Watt 2700 Kelvin  
200 Lumen



UN3481 Approved  
Certificate



5 Volt 1 Amper Adapter



CE Technical  
Certificate



3 Step Dimmable



Metal Material  
Plexy Material

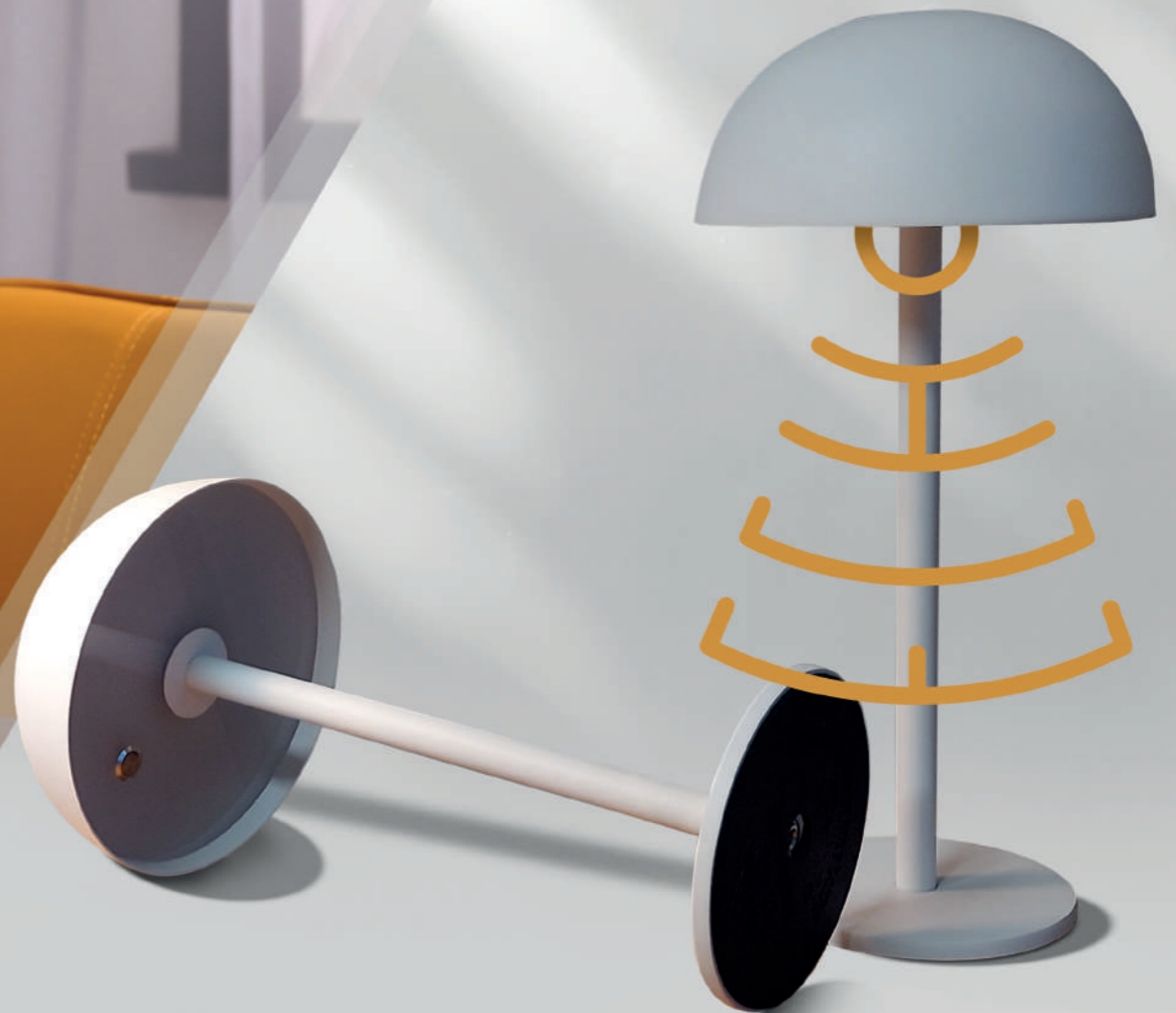


Charge Time 8 hours



Three Years  
Warranty

# ECHO







3.7 Volt 4400mAh  
Lithium Ion Battery



Operating Time:  
1. step 13 hours  
2. step 19 hours  
3. step 30 hours



2.2 Watt 2700 Kelvin  
200 Lumen



5 Volt 1 Amper Adapter



3 Step Dimmable



Charge Time 8 hours



Stainless Steel  
Button



Samsung LED



UN3481 Approved  
Certificate



CE Technical  
Certificate



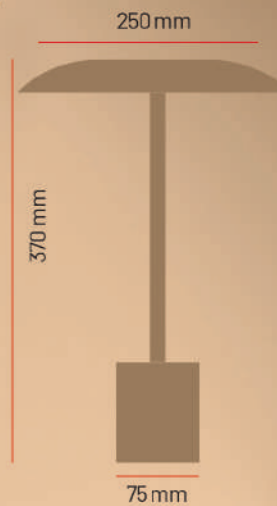
Metal Material  
Plexy Material



Three Years  
Warranty



# JAVA





3.7 Volt 4400mAh  
Lithium Ion Battery



Stainless Steel  
Button



Operating Time:  
1. step 13 hours  
2. step 19 hours  
3. step 30 hours



Samsung LED



2.2 Watt 2700 Kelvin  
200 Lumen



UN3481 Approved  
Certificate



5 Volt 1 Amper Adapter



CE Technical  
Certificate



3 Step Dimmable



Metal Material  
Plexy Material



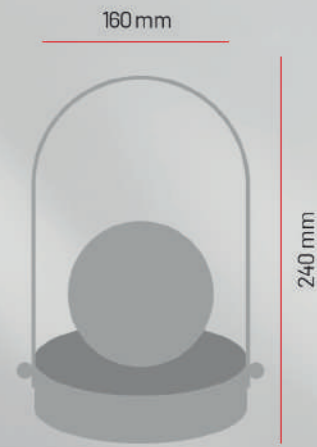
Charge Time 8 hours



Three Years  
Warranty



HUKI





3.7 Volt 4400mAh  
Lithium Ion Battery



Stainless Steel  
Button



Operating Time:  
1. step 13 hours  
2. step 19 hours  
3. step 30 hours



Samsung LED



2.2 Watt 2700 Kelvin  
200 Lumen



UN3481 Approved  
Certificate



5 Volt 1 Amper Adapter



CE Technical  
Certificate



3 Step Dimmable



Metal Material  
Glass Material



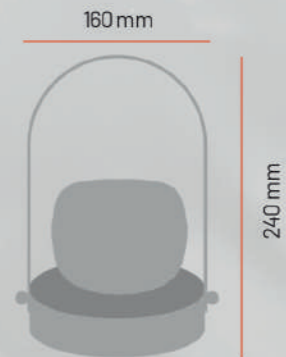
Charge Time 8 hours



Three Years  
Warranty



# LENA







3.7 Volt 4400mAh  
Lithium Ion Battery



Operating Time:  
1. step 13 hours  
2. step 19 hours  
3. step 30 hours



2.2 Watt 2700 Kelvin  
200 Lumen



5 Volt 1 Amper Adapter



3 Step Dimmable



Charge Time 8 hours



Stainless Steel  
Button



Samsung LED



UN3481 Approved  
Certificate



CE Technical  
Certificate



Metal Material  
Glass Material



Three Years  
Warranty

# HEIDI









3.7 Volt 4400mAh  
Lithium Ion Battery



Operrating Time:  
1. step 13 hours  
2. step 19 hours  
3. step 30 hours



2.2 Watt 2700 Kelvin  
200 Lumen



5 Volt 1 Amper Adapter



3 Step Dimmable



Charge Time 8 hours



Stainless Steel  
Button



Samsung LED



UN3481 Approved  
Certificete



CE Technical  
Certificate



Metal Material  
Plexy Material



Three Years  
Warranty

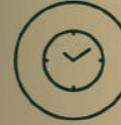
# PINO







3.7 Volt 4400mAh  
Lithium Ion Battery



Operrating Time:  
1. step 13 hours  
2. step 19 hours  
3. step 30 hours



2.2 Watt 2700 Kelvin  
200 Lumen



5 Volt 1 Amper Adapter



3 Step Dimmable



Charge Time 8 hours



Stainless Steel  
Button



Samsung LED



UN3481 Approved  
Certificete



CE Technical  
Certificate



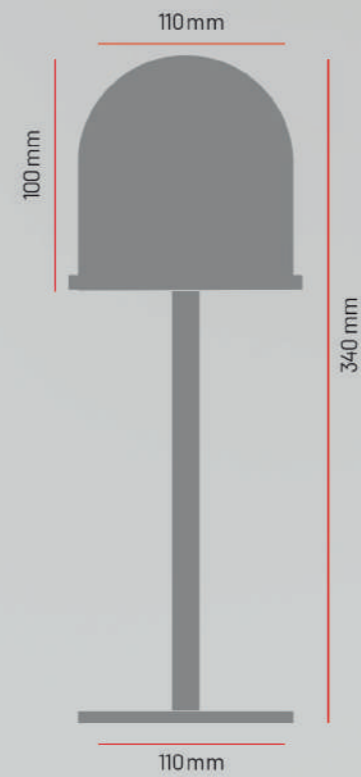
Metal Material  
Plexy Material



Three Years  
Warranty

# CHARLIE







3.7 Volt 4400mAh  
Lithium Ion Battery



Stainless Steel  
Button



Operating Time:  
1. step 13 hours  
2. step 19 hours  
3. step 30 hours



Samsung LED



2.2 Watt 2700 Kelvin  
200 Lumen



UN3481 Approved  
Certificate



5 Volt 1 Amper Adapter



CE Technical  
Certificate



3 Step Dimmable



Metal Material  
Plexy Material



Charge Time 8 hours

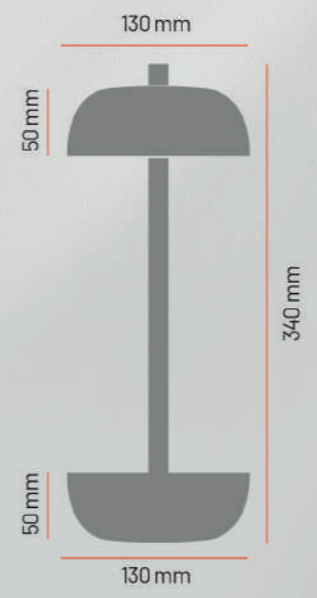


Three Years  
Warranty



# STRONG









3.7 Volt 4400mAh  
Lithium Ion Battery



Operrating Time:  
1. step 13 hours  
2. step 19 hours  
3. step 30 hours



2.2 Watt 2700 Kelvin  
200 Lumen



5 Volt 1 Amper Adapter



3 Step Dimmable



Charge Time 8 hours



Stainless Steel  
Button



Samsung LED



UN3481 Approved  
Certificete



CE Technical  
Certificate

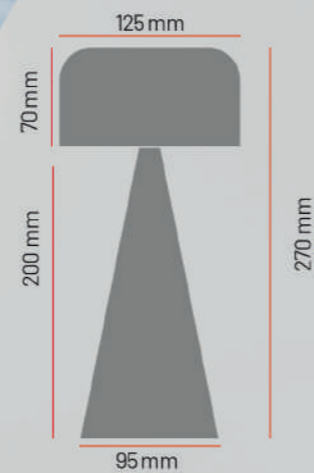


Metal Material  
Plexy Material



Three Years  
Warranty

# TIAMO





3.7 Volt 4400mAh  
Lithium Ion Battery



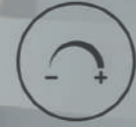
Operrating Time:  
1. step 13 hours  
2. step 19 hours  
3. step 30 hours



2.2 Watt 2700 Kelvin  
200 Lumen



5 Volt 1 Amper Adapter



3 Step Dimmable



Charge Time 8 hours



Stainless Steel  
Button



Samsung LED



UN3481 Approved  
Certificete



CE Technical  
Certificate



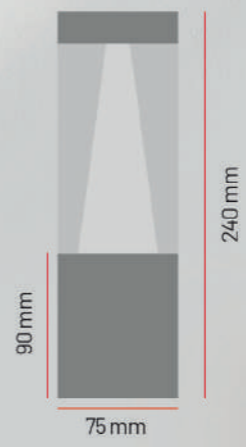
Metal Material  
Plexy Material



Three Years  
Warranty

# VICTORY





VICTORY





3.7 Volt 4400mAh  
Lithium Ion Battery



Operrating Time:  
1. step 13 hours  
2. step 19 hours  
3. step 30 hours



2.2 Watt 2700 Kelvin  
200 Lumen



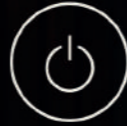
5 Volt 1 Amper Adapter



3 Step Dimmable



Charge Time 8 hours



Stainless Steel  
Button



Samsung LED



UN3481 Approved  
Certificete



CE Technical  
Certificate



Metal Material  
Glass Material



Three Years  
Warranty



# KAZU





3.7 Volt 4400mAh  
Lithium Ion Battery



Operrating Time:  
1. step 13 hours  
2. step 19 hours  
3. step 30 hours



2.2 Watt 2700 Kelvin  
200 Lumen



5 Volt 1 Amper Adapter



3 Step Dimmable



Charge Time 8 hours



Remote Control



Samsung LED



UN3481 Approved  
Certificete



CE Technical  
Certificate

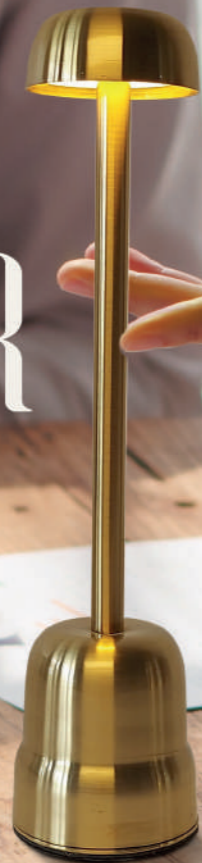


Aluminium Material  
Stainless Steel Material



Three Years  
Warranty

# JUNIOR





3.7 Volt 4400mAh  
Lithium Ion Battery



Operrating Time:  
1. step 13 hours  
2. step 19 hours  
3. step 30 hours



2.2 Watt 2700 Kelvin  
200 Lumen



5 Volt 1 Amper Adapter



3 Step Dimmable



Charge Time 8 hours



Stainless Steel  
Button



Samsung LED



UN3481 Approved  
Certificete



CE Technical  
Certificate



Metal Material  
Plexy Material



Three Years  
Warranty

YOUNG







3.7 Volt 4400mAh  
Lithium Ion Battery



Operating Time:  
1. step 13 hours  
2. step 19 hours  
3. step 30 hours



2.2 Watt 2700 Kelvin  
200 Lumen



5 Volt 1 Amper Adapter



3 Step Dimmable



Charge Time 8 hours



Stainless Steel  
Button



Samsung LED



UN3481 Approved  
Certificate



CE Technical  
Certificate



Metal Material  
Plexy Material



Three Years  
Warranty



# AARON

BIG



SMALL





3.7 Volt 4400mAh  
Lithium Ion Battery



Operrating Time:  
1. step 13 hours  
2. step 19 hours  
3. step 30 hours



2.2 Watt 2700 Kelvin  
200 Lumen



5 Volt 1 Amper Adapter



3 Step Dimmable



Charge Time 8 hours



Stainless Steel  
Button



Samsung LED



UN3481 Approved  
Certificete



CE Technical  
Certificate

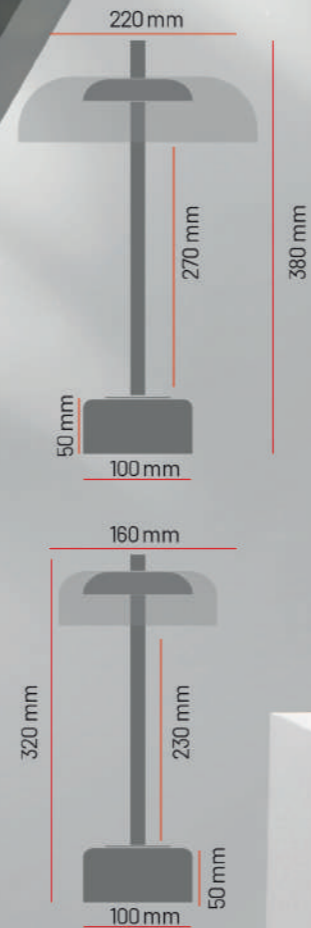


Metal Material  
Glass Material



Three Years  
Warranty

# LENORA





MINI  
LENORA



3.7 Volt 4400mAh  
Lithium Ion Battery



Operating Time:  
1. step 13 hours  
2. step 19 hours  
3. step 30 hours



2.2 Watt 2700 Kelvin  
200 Lumen



5 Volt 1 Amper Adapter



3 Step Dimmable



Charge Time 8 hours



Stainless Steel  
Button



Samsung LED



UN3481 Approved  
Certificate



CE Technical  
Certificate



Metal Material  
Glass Material

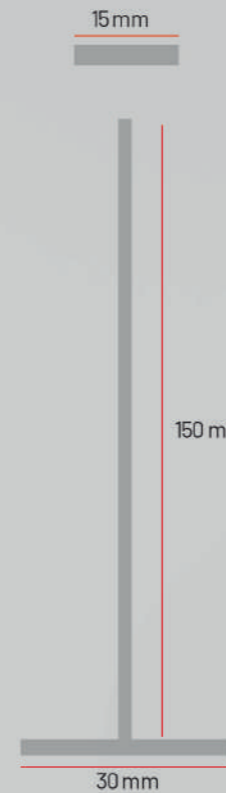


Three Years  
Warranty

WARRANTY / GARANTI



# TREY





3.7 Volt 4400mAh  
Lithium Ion Battery



Samsung LED



4.4 Watt 2700 Kelvin  
400 Lumen



5 Volt 1 Amper Adapter



3 Step Dimmable



Charge Time 8 hours



Stainless Steel Button



Operrrating Time:  
1. step 6 hours  
2. step 9 hours  
3. step 12 hours



UN3481 Approved  
Certificete



CE Technical  
Certificate



Metal Material  
Plexy Material



DONNA







3.7 Volt 4400mAh  
Lithium Ion Battery



Samsung LED



4.4 Watt 2700 Kelvin  
400 Lumen



5 Volt 1 Amper Adapter



3 Step Dimmable



Charge Time 8 hours



Stainless Steel Button



Operating Time:  
1. step 6 hours  
2. step 9 hours  
3. step 12 hours



UN3481 Approved  
Certificate

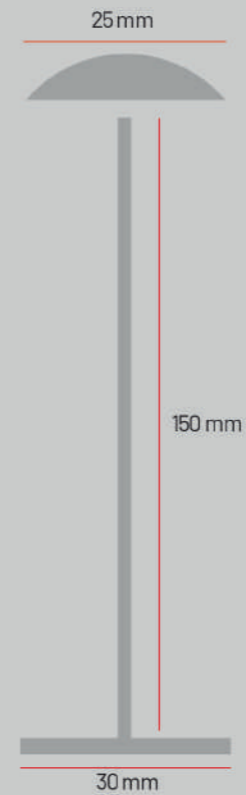


CE Technical  
Certificate



Metal Material  
Plexy Material

# SUN





3.7 Volt 4400mAh  
Lithium Ion Battery



Samsung LED



4.4 Watt 2700 Kelvin  
400 Lumen



5 Volt 1 Amper Adapter



3 Step Dimmable



Charge Time 8 hours



Stainless Steel Button



Operating Time:  
1. step 6 hours  
2. step 9 hours  
3. step 12 hours



UN3481 Approved  
Certificate

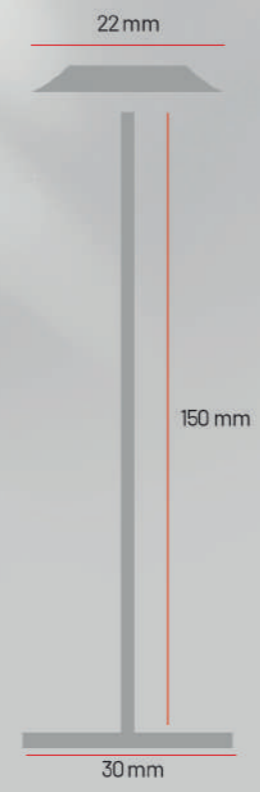


CE Technical  
Certificate



Metal Material  
Plexy Material

# URANUS





3.7 Volt 4400mAh  
Lithium Ion Battery



Stainless Steel Button



Samsung LED



Operating Time:  
1. step 6 hours  
2. step 9 hours  
3. step 12 hours



4.4 Watt 2700 Kelvin  
400 Lumen



UN3481 Approved  
Certificate



5 Volt 1 Amper Adapter



CE Technical  
Certificate



3 Step Dimmable



Metal Material  
Plexy Material



Charge Time 8 hours



# COLLECT

CHARGING STATION



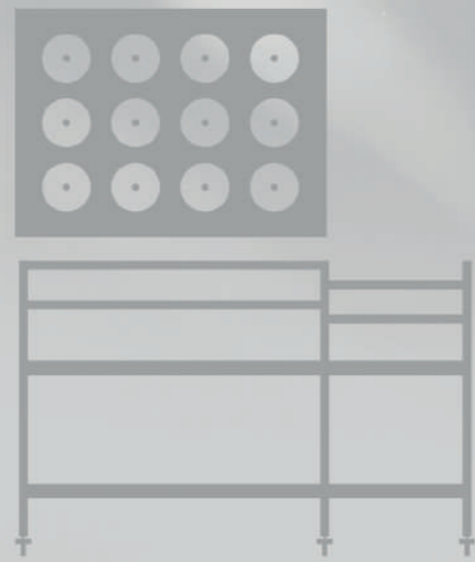
AC Input 220 Volt



CE Technical Certificate



Three Years Warranty





# REMOTE CONTROLLER

# BÜTÜN ŞARJLI ÜRÜNLERİMİZ 3 YIL GARANTİLİ

ALL RECHARGEABLE PRODUCTS  
3 YEARS WARRANTY



RECHARGEABLE  
CORDLESS  
TABLE LAMPS

# CERTIFICATES

ONYEDİ lighting proves its product and service quality with its national and international gained certificates and documents.

In case of any quality document needs; please contact with us.





# REFERENCES





+90 212 650 50 10

[www.onyediaydinlatma.com](http://www.onyediaydinlatma.com) [proje@onyediaydinlatma.com](mailto:proje@onyediaydinlatma.com)  
Yunusemre Bulvarı Yunusemre Mah. No:49A 34260 Sultangazi / İstanbul



17aydinlatma